

A

B

C

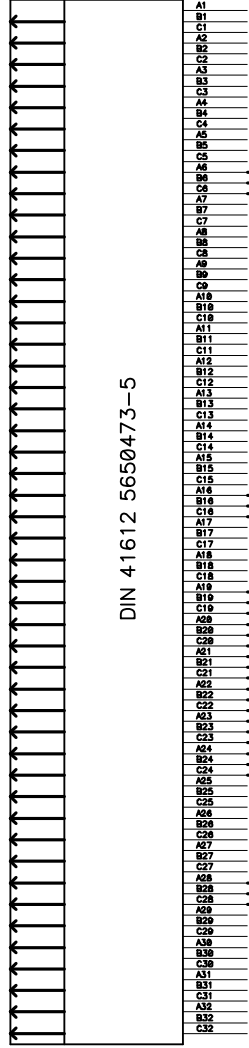
D

1

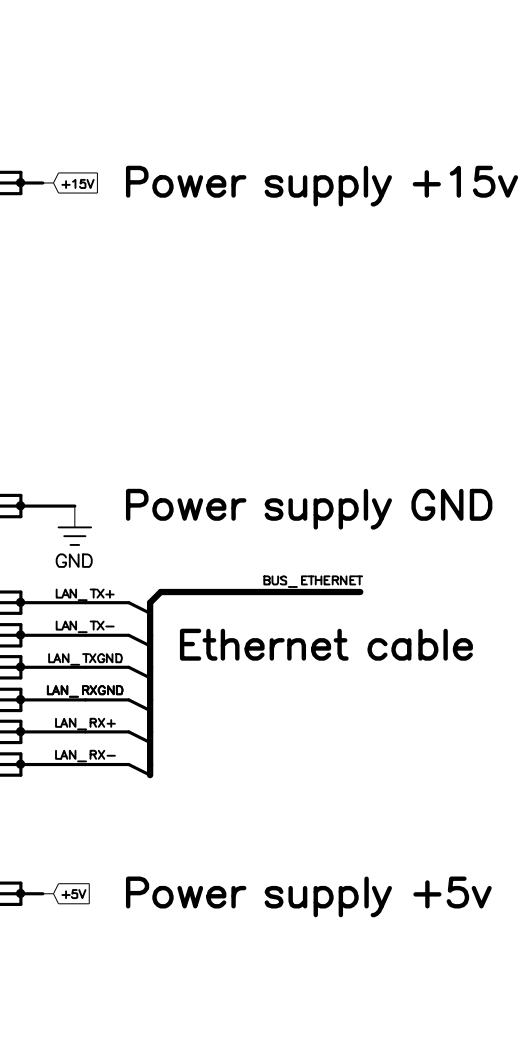
1



RF generator
device



DIN 41612 5650473-5



+15V Power supply +15v

GND Power supply GND

BUS_ETHERNET
Ethernet cable

+5V Power supply +5v

Power:

Device required use 2 power source: +5V and +15V.
Power connection of feeding is produced through
backplane connector: DIN 41612

- Power supply +5v: pins A28, B28, C28
- Power supply +15v: pins A6, B6, C6
- Ground : pins A16, B16, C16

Ethernet communication:

- TX+: pins A19, B19, C19
- TX-: pins A20, B20, C20
- TX GND: pins A21, B21, C21
- RX GND: pins A22, B22, C22
- RX+: pins A23, B23, C23
- RX-: pins A24, B24, C24

2

2

3

3

4

4

A

B

C

D

Title			Cable connection sch		
Size	Number			Rev	
A4	RF-generator project			ver1	
Date	30 Sept 2016	Drawn by	Akimov VA		
Filename	connection.sch	Sheet 1	of 1		